



Common Mode Choke
General differential signal line

CMC F-Series

CMC4532F type

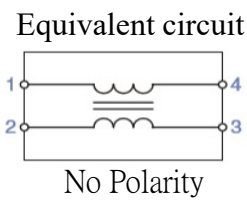
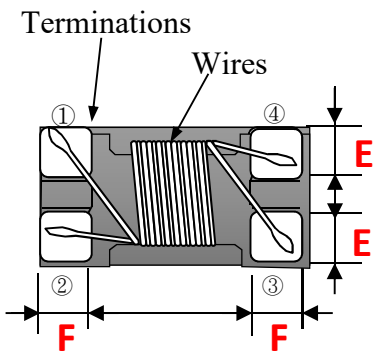
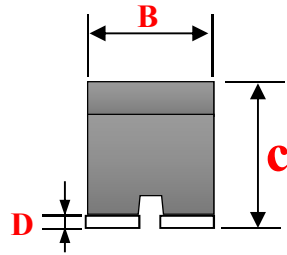
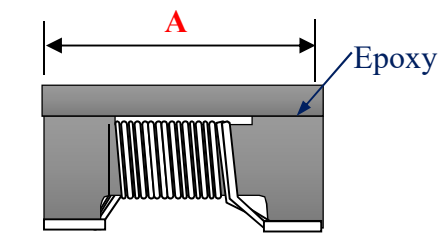
CMC4532F [1812 inch]



CMC4532F-Series (General differential signal line)

2019/5/8

◆ SHAPE & DIMENSIONS



CMC4532F	Dimensions
A	4.5 ± 0.2
B	3.2 ± 0.2
C	2.8 ± 0.2
D	0.2 ± 0.1
E	1.23Typ
F	1.00 Typ

◆ PART NUMBER CONSTRUCTION

CMC	4532	F	—	601	—	2P	—	T
Series name	L*W*T Dimensions (mm)	F type Cut-Off Frequency		Impedance (Ω)at100MHz		Number Of Line		Taping
Common Mode Choke	4.5*3.2*2.8	1GHz		900		2P 2lines		
				601				
				102				

◆ OPERATING TEMPERATURE RANGE, PACKAGE QUANTITY.

Type	Temperature range		Reel Dimensions	Package quantity
	Operating Temperature °C	Storage Temperature °C	(mm)	(pieces/reel)
CMC4532F-Series	-40 to +85	-40 to +85	ø180	500

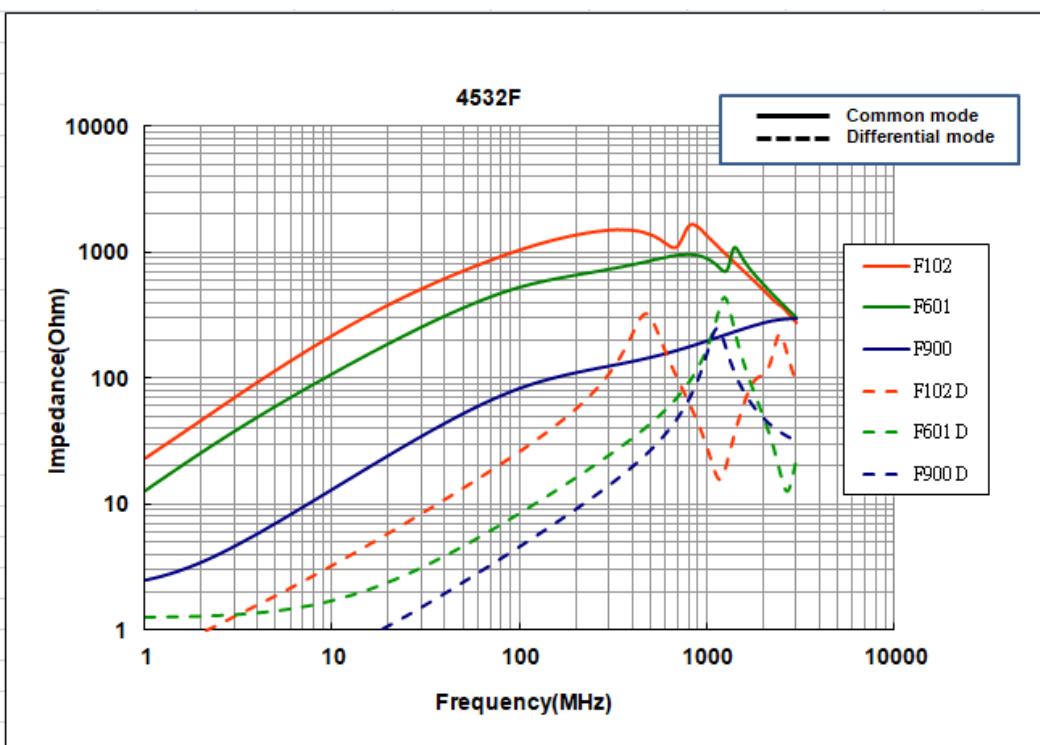
◆ ELECTRICAL CHARACTERISTICS

Impedance 100MHz (Ω)	DC Resistance (Ω) max.	Rated Voltage (V) max.	Insulation Resistance (MΩ)min.	Rated Current (mA)max	Part No.
90±25%	0.05	50	10	1500	CMC4532F-900-2P-T
600±25%	0.10	50	10	1500	CMC4532F-601-2P-T
1000±25%	0.09	50	10	1000	CMC4532F-102-2P-T

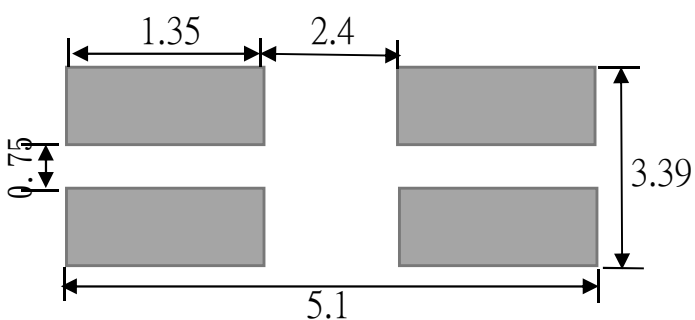
◆ Measurement Equipment

Measurement Item	Meter	Manufacturer
Common Mode Impedance	E4991A / 4287A	Agilent
DC Resistance	16502	Chroma
Insulation Resistance	4339B / 19073	Agilent / Chroma

◆ PERFORMANCE CURVES (for general differential signal line)

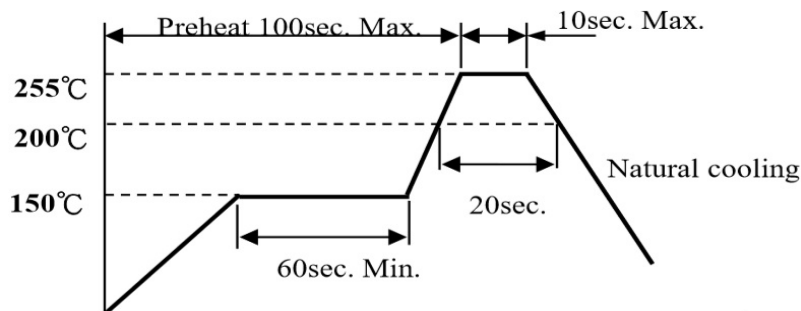


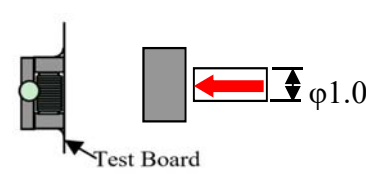
◆ Recommended Soldering Conditions (Please use this product by reflow soldering)



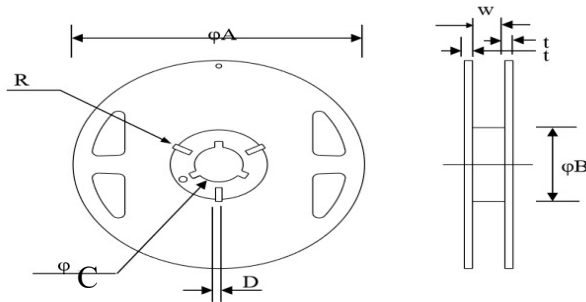
◆ RECOMMENDED REFLOW PROFILE

2019/5/8

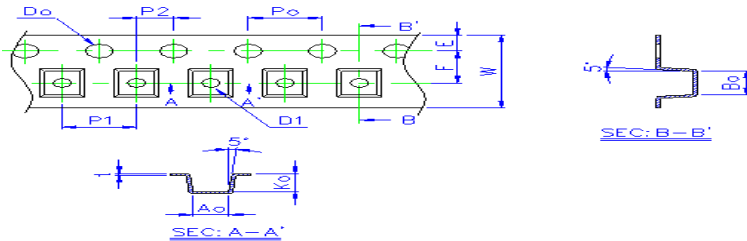

◆ MECHANICAL RELIABILITY

TEST ITEM	Specification & Requirement		Method Used
Solderability	The surface of terminal/pin tested shall be covered with new solder by 90%		Solder heat proof: Preheating: 150 ±10°C 60 seconds Soldering: 245 ±5°C for 4 ±1 sec
Solder Heat Resistance	Components should have not evidence of Impedance: within ±15% of initial value		Preheating: 150°C 60secs Flux: rosin Dip time: 10±0.5 secs
Terminal strength	Series No.	F (Kg)	Solder a chip to test substrate and then laterally apply a force in the arrow direction 
	2012	0.5	
	2520	1.0	
	3216	1.0	
	3225	1.0	
	4532	1.2	
ENDURANCE RELIABILITY			
Thermal Shock	Impedance change within ± 15% Without mechanical damage		-65°C, (30 mins) -> room temp. (2 mins) 125°C, (30 mins) -> room temp. (2 mins) 50 cycles
Humidity Resistance			Apply IDC current @ 60°C ambient Humidity: 90% Duration: 168 hrs
Low Temp. Storing			Storing Temp. -40 ±2 °C for total 168 +5/-0 hours
High Temp. Storing			Storing Temp. 125 ±2 °C for total 168 +5/-0 hours

◆ Reel Dimension & Tape Dimension



Type	A(mm)	B(mm)	C(mm)	W(mm)
7"x8mm	178±1	60±0.5	13.5±0.5	9.5±0.5
7"x12mm	178±1	60±1	13.3±0.5	13.7±0.5



Size	A(mm)	Ao(mm)	B(mm)	Bo(mm)	Ko(mm)	W(mm)	E(mm)	F(mm)	Po(mm)	P1(mm)	P2(mm)	Do(mm)	D1(mm)
2012	77	1.50±0.1	500	2.35±0.1	1.45±0.1	8.00±0.2	1.75±0.1	3.50±0.05	4.00±0.05	4.00±0.1	2.00±0.05	1.50+0.1/-0	1.00±0.1
3216	77	1.88±0.1	500	3.50±0.1	2.10±0.1	8.00±0.2	1.75±0.1	3.50±0.05	4.00±0.05	4.00±0.1	2.00±0.05	1.50+0.1/-0	1.00±0.1
3225	77	2.88±0.1	500	3.65±0.1	2.50±0.1	8.00±0.1	1.75±0.1	3.50±0.05	4.00±0.1	4.00±0.1	2.00±0.05	1.50+0.1/-0	1.00±0.1
4532	77	3.45±0.1	500	4.90±0.1	3.05±0.1	12.00±0.2	1.75±0.1	5.50±0.05	4.00±0.05	8.00±0.1	2.00±0.05	1.50+0.1/-0	1.50±0.1

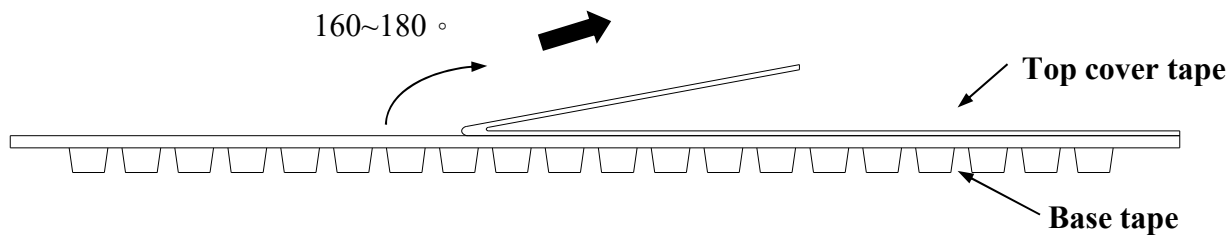
◆ Cover Tape Peel Strength

The force for tearing off cover tape is 0.05~0.69(N) in the arrow direction at the following conditions:

Temperature : 5 ~ 35°C

Humidity : 45 ~ 85%

Atmospheric pressure : 860 ~ 1060 hpa



◆ Packaging Quantity

Chip Size	2012	3216	3225	4532
8mm / Reel	2000	2000	1000	500