



Common Mode Choke

For High-Speed Differential Signal Line, General Differential Signal Line

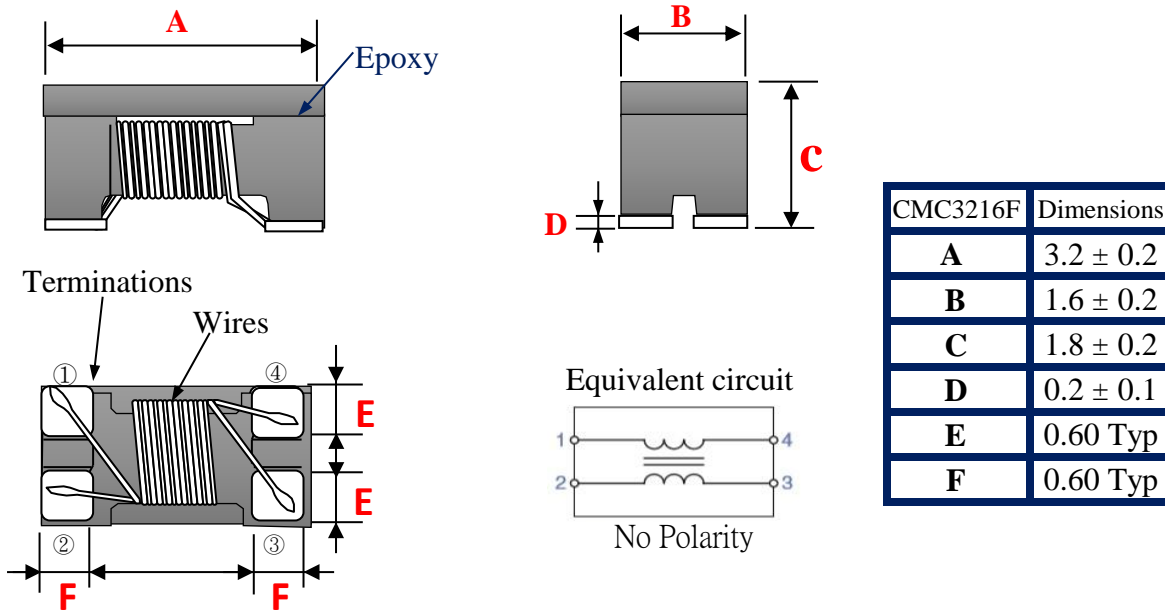
CMC3216-L600-2P-T

CMC-3216

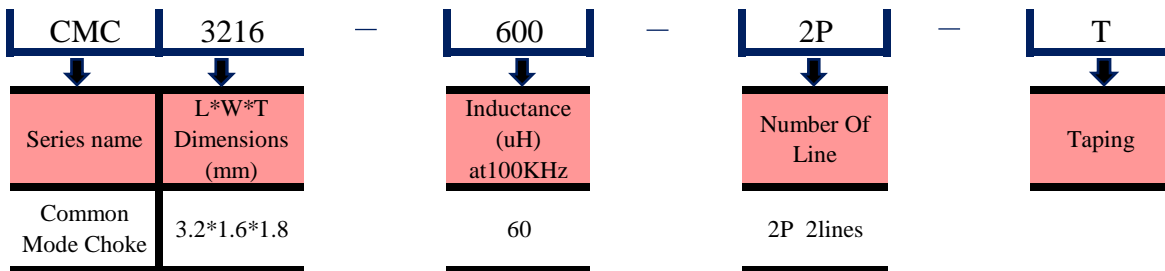
[1206 inch]



◆ SHAPE & DIMENSIONS



◆ PART NUMBER CONSTRUCTION



◆ OPERATING TEMPERATURE RANGE, PACKAGE QUANTITY.

Type	Temperature range		Reel Dimensions (mm)	Package quantity (pieces/reel)
	Operating Temperature °C	Storage Temperature °C		
CMC3216-L600-2P-T	-40 to +85	-40 to +85	ø180	2,000



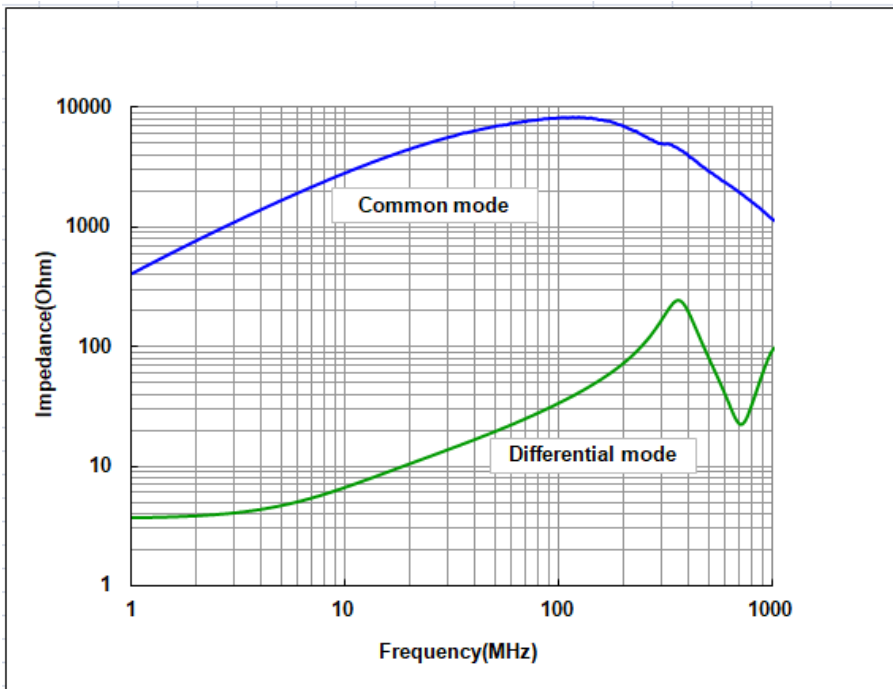
◆ ELECTRICAL CHARACTERISTICS

Inductance 【100KHz 0.1V】 (uH)	DC Resistance (Ω) max.	Rated Current (mA)max.	Insulation Resistance (MΩ)min.	Rated Voltage (V) max.	Part No.
60 (min 50uH, max 120uH)	1.5	200	10	50	CMC3216-L600-2P-T

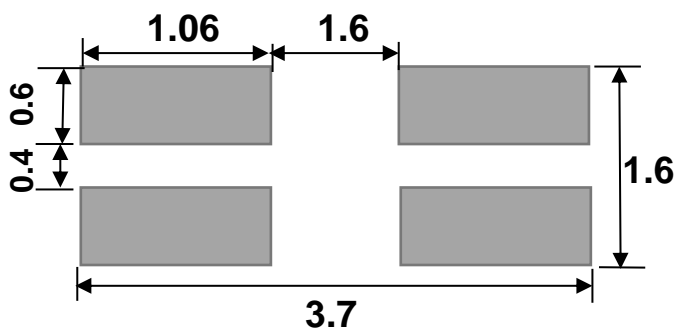
◆ Measurement Equipment

Measurement Item	Meter	Manufacturer
Common Mode Inductance	4991A	Agilent
DC Resistance	16502	Chroma
Insulation Resistance	4339B / 19073	Agilent / Chroma

◆ PERFORMANCE CURVES

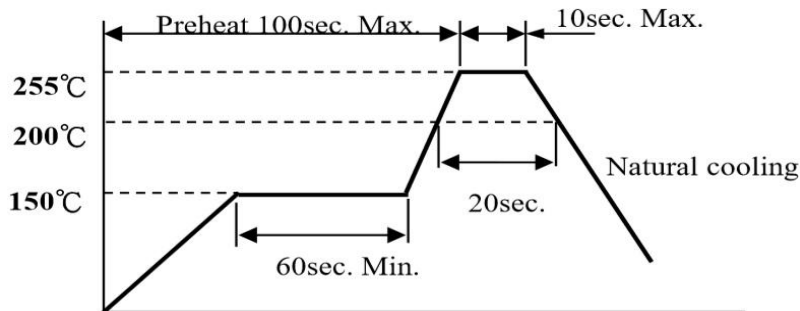


◆ Recommended Soldering Conditions (Please use this product by reflow)

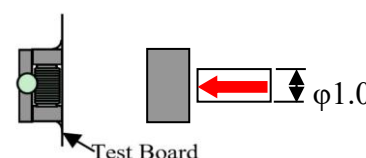


◆ RECOMMENDED REFLOW PROFILE

2020/2/20



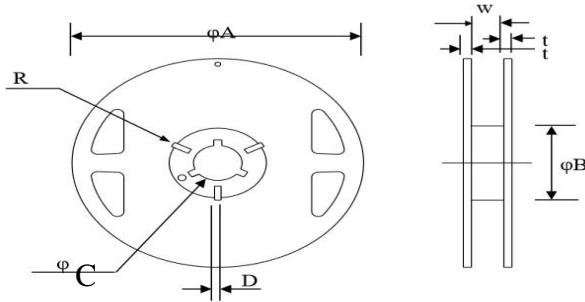
◆ MECHANICAL RELIABILITY

TEST ITEM	Specification & Requirement	Method Used
Solderability	The surface of terminal/pin tested shall be covered with new solder by 90%	Solder heat proof: Preheating: 150 ± 10°C 60 seconds Soldering: 245 ± 5°C for 4 ± 1 sec
Solder Heat Resistance	Components should have not evidence of Impedance: within ± 15% of initial value	Preheating: 150°C 60secs Flux: rosin Dip time: 10 ± 0.5 secs
Terminal strength	Series No.	F (Kg)
	2012	0.5
	2520	1.0
	3216	1.0
	3225	1.0
	4532	1.2
		

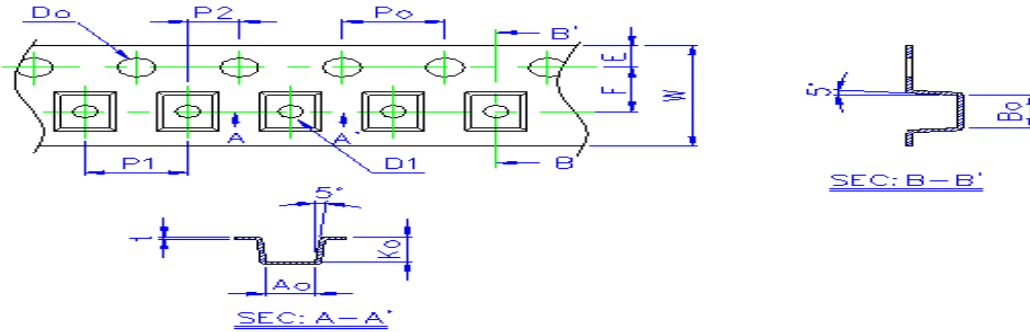
ENDURANCE RELIABILITY

Thermal Shock	Impedance change within ± 15% Without mechanical damage	-65°C, (30 mins) -> room temp. (2 mins) 125°C, (30 mins) -> room temp. (2 mins) 50 cycles
Humidity Resistance		Apply IDC current @ 60°C ambient Humidity: 90% Duration: 168 hrs
Low Temp. Storing		Storing Temp. -40 ± 2 °C for total 168 +5/-0 hours
High Temp. Storing		Storing Temp. 125 ± 2 °C for total 168 +5/-0 hours

◆ Reel Dimension & Tape Dimension



Type	A(mm)	B(mm)	C(mm)	W(mm)
7"x8mm	178±1	60±0.5	13.5±0.5	9.5±0.5
7"x12mm	178±1	60±1	13.3±0.5	13.7±0.5



Size	A(mm)	Ao(mm)	B(mm)	Bo(mm)	Ko(mm)	W(mm)	E(mm)	F(mm)	Po(mm)	P1(mm)	P2(mm)	Do(mm)	D1(mm)
3216	77	1.88±0.1	500	3.50±0.1	2.10±0.1	8.00±0.2	1.75±0.1	3.50±0.05	4.00±0.05	4.00±0.1	2.00±0.05	1.50+0.1/-0	1.00±0.1

◆ Cover Tape Peel Strength

The force for tearing off cover tape is 0.05~0.69(N) in the arrow direction at the following conditions:

Temperature : 5 ~ 35°C

Humidity : 45 ~ 85%

Atmospheric pressure : 860 ~ 1060 hpa

