

Common Mode Choke  
General differential Power line

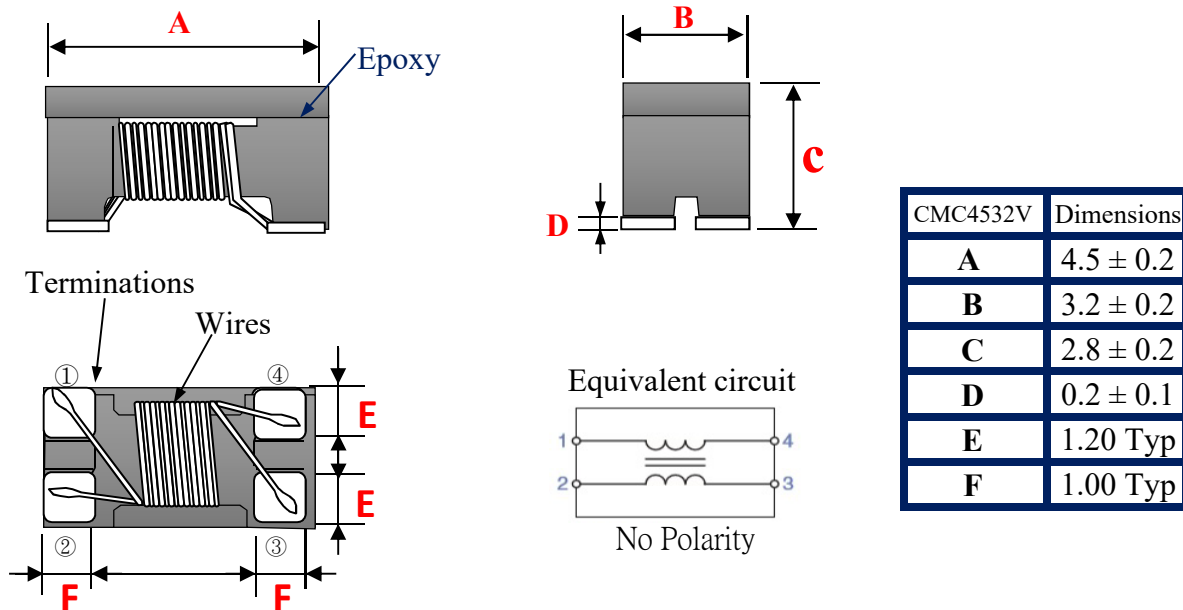
**CMC V-Series**

## CMC4532V type

---

CMC4532V [1812 inch]

## ◆ SHAPE & DIMENSIONS



## ◆ PART NUMBER CONSTRUCTION

CMC	4532	V	—	231	—	2P	—	T
Series name	L*W*T Dimensions (mm)	Vehicle		Impedance (Ω)at100MHz		Number Of Line		Taping
Common Mode Choke	4.5*3.2*2.8	Automotive for infotainment		230		2P 2lines		
				420				
				900				
				1400				

## ◆ OPERATING TEMPERATURE RANGE, PACKAGE QUANTITY.

Type	Temperature range		Reel Dimensions (mm)	Package quantity (pieces/reel)
	Operating Temperature °C	Storage Temperature °C		
CMC4532V-Series	-40 to +125	-40 to +125	ø180	500

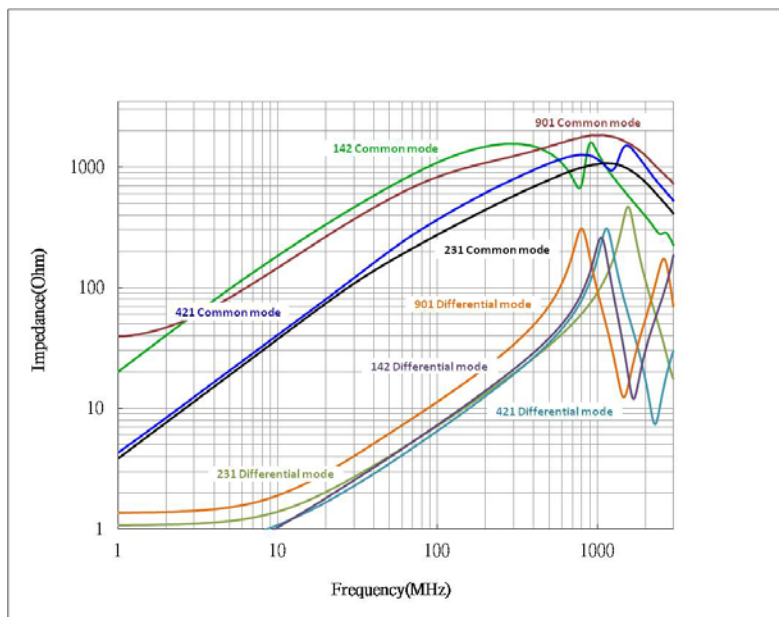
## ◆ ELECTRICAL CHARACTERISTICS

Impedance 100MHz ( $\Omega$ )min.	DC Resistance ( $\Omega$ )typ.	DC Resistance ( $\Omega$ ) max.	Rated Voltage (V) max.	Insulation Resistance (M $\Omega$ )min.	Rated Current (A)max.	Part No.
180	230	0.05	50	10	1.5	CMC4532V-231-2P-T
300	420	0.055	50	10	1.4	CMC4532V-421-2P-T
650	900	0.06	50	10	1.2	CMC4532V-901-2P-T
1000	1400	0.08	50	10	1.0	CMC4532V-142-2P-T

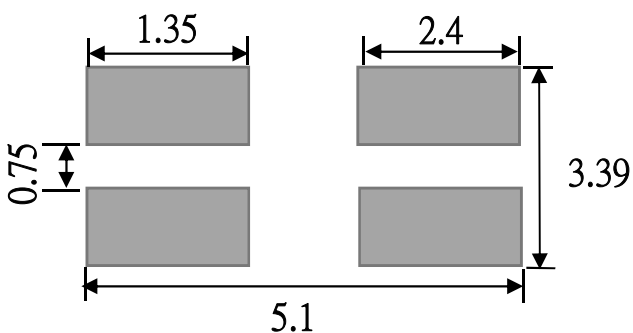
## ◆ Measurement Equipment

Measurement Item	Manufacturer
Common Mode Impedance	Agilent
DC Resistance	Chroma
Insulation Resistance	Agilent / Chroma

## ◆ PERFORMANCE CURVES



## ◆ Recommended Soldering Conditions (Please use this product by reflow soldering)

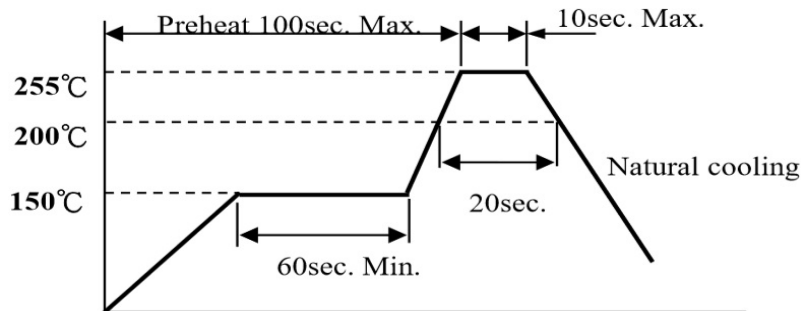


# RELIABILITY

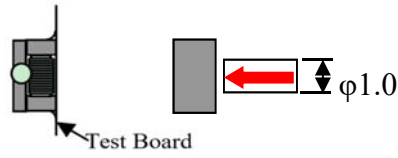


## ◆ RECOMMENDED REFLOW PROFILE

2018/10/23



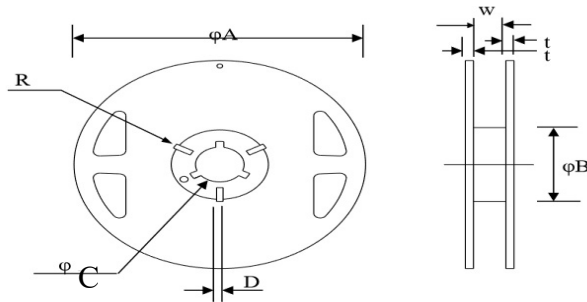
## ◆ MECHANICAL RELIABILITY

TEST ITEM	Specification & Requirement		Method Used
Solderability	The surface of terminal/pin tested shall be covered with new solder by 90%		Solder heat proof: Preheating: 150 ±10°C 60 seconds Soldering: 245 ±5°C for 4 ±1 sec
Solder Heat Resistance	Components should have not evidence of Impedance: within ±15% of initial value		Preheating: 150°C 60secs Flux: rosin Dip time: 10±0.5 secs
Terminal strength	Series No.	F (Kg)	Solder a chip to test substrate and then laterally apply a force in the arrow direction 
	2012	0.5	
	2520	1.0	
	3216	1.0	
	3225	1.0	
	4532	1.2	

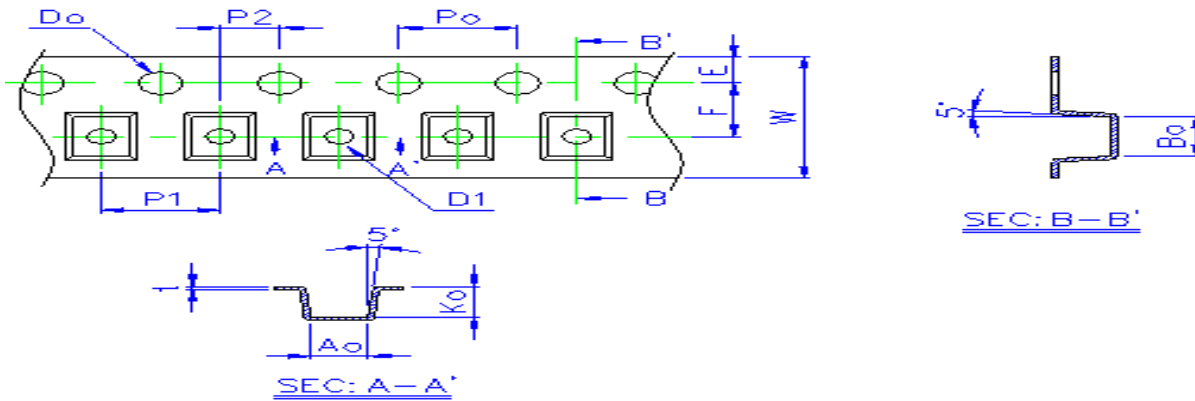
## ENDURANCE RELIABILITY

Thermal Shock	Impedance change within ± 15% Without mechanical damage	-65°C, (30 mins) -> room temp. (2 mins) 125°C, (30 mins) -> room temp. (2 mins) 50 cycles
Humidity Resistance		Apply IDC current @ 60°C ambient Humidity: 90% Duration: 168 hrs
Low Temp. Storing		Storing Temp. -40 ±2 °C for total 168 +5/-0 hours
High Temp. Storing		Storing Temp. 125 ±2 °C for total 168 +5/-0 hours

## ◆ Reel Dimension & Tape Dimension



Type	A(mm)	B(mm)	C(mm)	W(mm)
7"x8mm	178±1	60±0.5	13.5±0.5	9.5±0.5
7"x12mm	178±1	60±1	13.3±0.5	13.7±0.5



Size	A(mm)	Ao(mm)	B(mm)	Bo(mm)	Ko(mm)	W(mm)	E(mm)	F(mm)	Po(mm)	P1(mm)	P2(mm)	Do(mm)	D1(mm)
4532	77	3.45±0.1	500	4.90±0.1	3.05±0.1	12.00±0.2	1.75±0.1	5.50±0.05	4.00±0.05	8.00±0.1	2.00±0.05	1.50+0.1/-0	1.50±0.1

## ◆ Cover Tape Peel Strength

The force for tearing off cover tape is 0.05~0.69(N) in the arrow direction at the following conditions:

Temperature : 5 ~ 35°C

Humidity : 45 ~ 85%

Atmospheric pressure : 860 ~ 1060 hpa

