

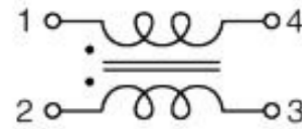
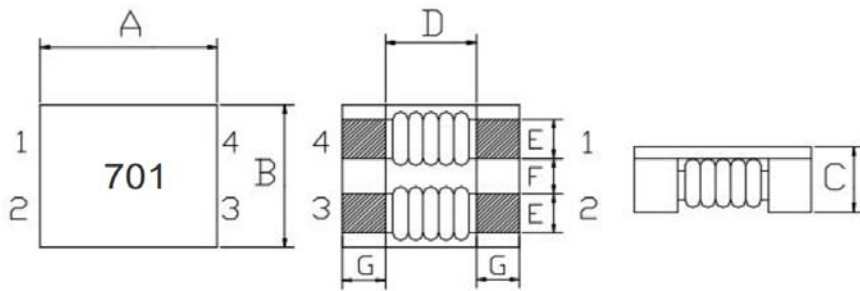
SMD Power Line Common Mode Choke

ACM1211M-Series

ACM1211M type

ACM1211M [4743 inch]

◆ SHAPE & DIMENSIONS



ACM1211M	Dimensions
A	12.0 ± 0.5
A1	12.5 ± 0.5
B	10.8 ± 0.5
C	6.4 max
D	7.0 typ
E	2.7 ± 0.2
F	2.5 ± 0.2
G	2.5 ± 0.2

UNIT:mm

◆ PART NUMBER CONSTRUCTION

ACM	1211	M	—	800	—	2P	—	T
Series name	L*W*T Dimensions (mm)	Impedance Tolerance		Impedance (Ω)at100MHz		Number Of Line		Taping
Common Mode Choke	12.0*12.5*10.8	± 20%		80		2P 2lines		
				700				
				800				
				1000				
				2200				
				2700				

◆ OPERATING TEMPERATURE RANGE, PACKAGE QUANTITY.

Type	Temperature range		Reel Dimensions (mm)	Package quantity (pieces/reel)
	Operating Temperature °C	Storage Temperature °C (75% RH max)		
ACM1211M-Series	-40 to +125	-20 to +40	ø330	500



◆ ELECTRICAL CHARACTERISTICS

Impedance 100MHz DC		Resistance (mΩ) max.	Rated Voltage (V) max.	Insulation Resistance (MΩ)min.	Rated Current (A)max.	MARK	Part No.
(Ω) Min	Typ						
80	230	2.0	125	10	10.0	800	ACM1211M-800-2P-T
500	700	6.0	125	10	8.0	701	ACM1211M-701-2P-T
600	800	8.0	125	10	8.0	801	ACM1211M-801-2P-T
750	1000	14	125	10	6.0	102	ACM1211M-102-2P-T

Impedance 10MHz		Resistance (mΩ) max.	Rated Voltage (V) max.	Insulation Resistance (MΩ)min.	Rated Current (A)max.	MARK	Part No.
(Ω) Min	Typ						
2200	2500	35	80	10	1.8	222	ACM1211M-222-2P-T
2300	2700	50	80	10	1.5	272	ACM1211M-272-2P-T

◆ Measurement Equipment

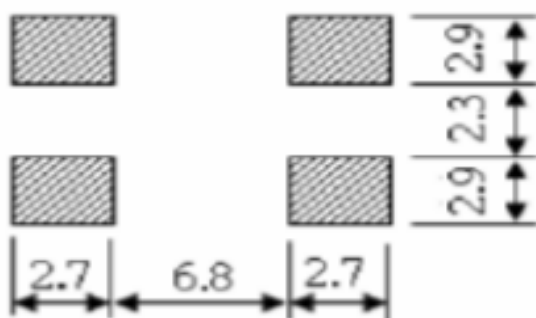
Measurement Item	Meter	Manufacturer
Common Mode Impedance	4287A	Agilent
DC Resistance	16502	Chroma
Insulation Resistance	4339B	Agilent / Chroma

※Rated Current: Temp.rise 40°C Typ

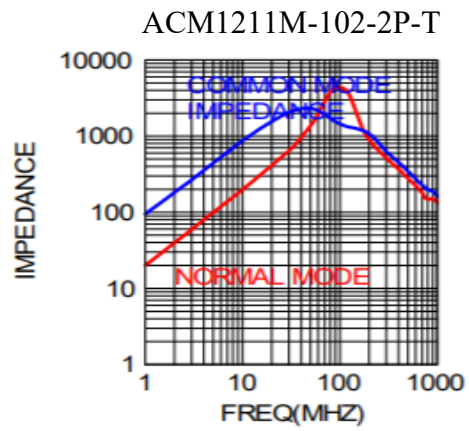
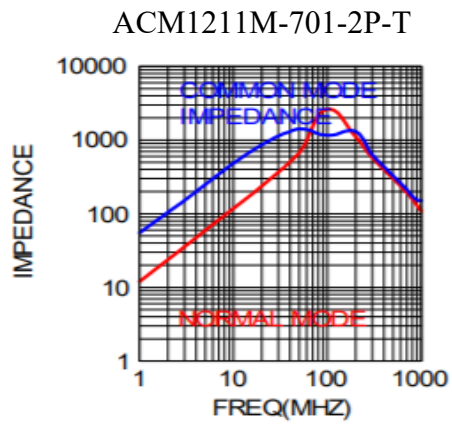
※Marking black words

※Marking Damaged area less than 0.3mm is allowed

◆ Recommended Soldering Conditions (Please use this product by reflow soldering)

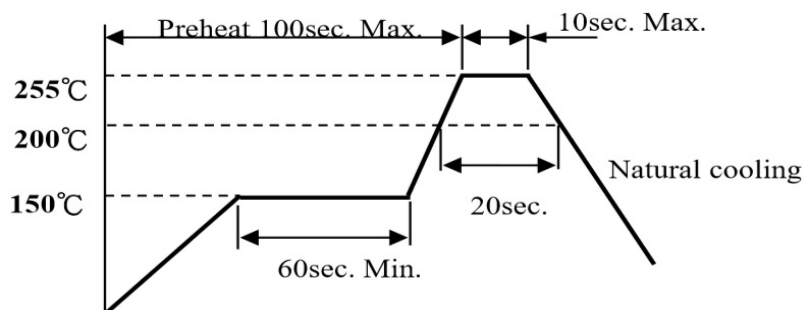


◆ CHARACTERISTICS (REFERENCE)

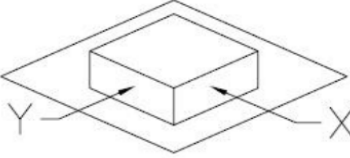




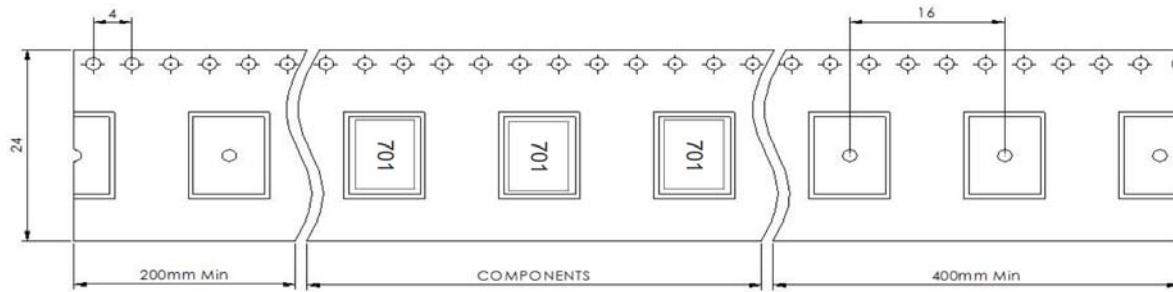
◆ RECOMMENDED REFLOW PROFILE



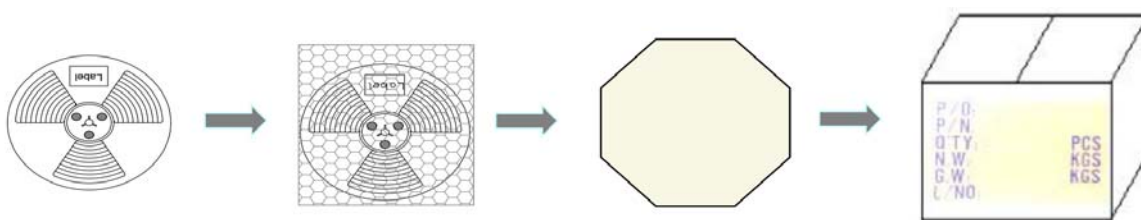
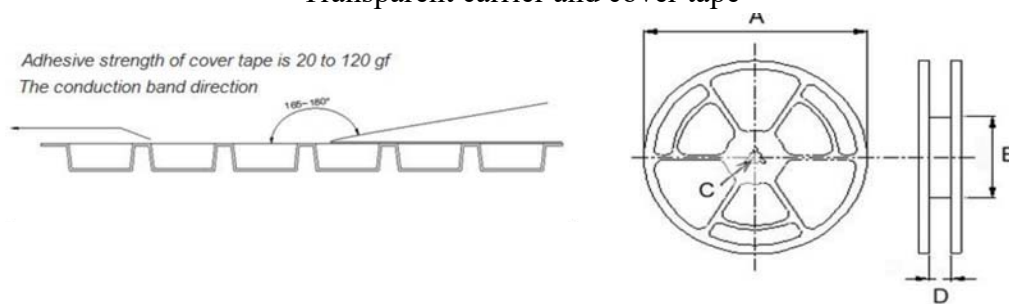
◆ MECHANICAL RELIABILITY

Operating Temperature	-40 to +125 °C (Contain Heating coil)
Appearance Inspection	No external defects by visual inspection
Terminal Strength	 <p>After soldering , between copper plaet and terminals of coils , push in two directions of X , Y with standing 1 0N(1 .02kg) for1 0+/-2 sec. Terminal should not peel off. (Refer to figure at right)</p>
Heat endurance of reflow soldering	Refer to figure
Insulating resistance	Over 1 00 MΩ at 1 00V D.C . between wire and core
Dielectric Strength	Apply at 0.5KV 3mA for 1 minute between wire and core
Temperature characteristics	Inductance coefficient (0~2,000) × 1 0 / °C (- 40~ + 1 25 °C)
Humidity characteristics	Inductance deviation within ± 1 0% , after 96 hours in 90~95% relative humidity at 40 ± 2 °C and 1 hours drying under normal condition
A test is made under the above mentioned condition , and it is kept for 2 hours in the normal	

◆ Reel Dimension & Tape Dimension



Transparent carrier and cover tape



Reel:13'(Ø330mm)
500pcs/Reel

PE Bag
500pcs/bag

Inside Box
1000pcs/Box

Out Side Box
5,000pcs/Box