



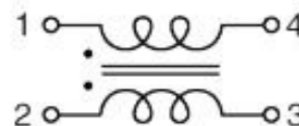
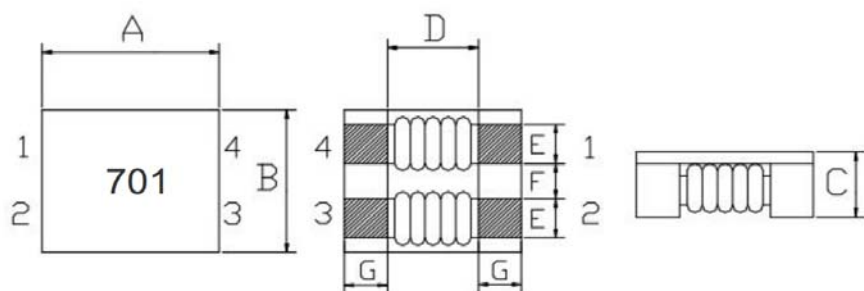
SMD Power Line Common Mode Choke

ACM9070M-Series

ACM9070M type

ACM9070M [3527 inch]

◆ SHAPE & DIMENSIONS



ACM9070M	Dimensions
A	9.0 ± 0.5
B	7.0 ± 0.5
C	4.8 max
D	5.7 Typ
E	1.5 ± 0.2
F	2.0 ± 0.2
G	1.7 ± 0.2

UNIT:mm

◆ PART NUMBER CONSTRUCTION

ACM	9070	M	—	301	—	2P	—	T
Series name	L*W*T Dimensions (mm)	Impedance Tolerance		Impedance (Ω)at100MHz		Number Of Line		Taping
Common Mode Choke	9.0*7.0*4.8	± 20%		300		2P 2lines		
				500				
				700				
				1000				
				1500				
				2200				
				2700				

◆ OPERATING TEMPERATURE RANGE, PACKAGE QUANTITY.

Type	Temperature range		Reel Dimensions (mm)	Package quantity (pieces/reel)
	Operating Temperature °C	Storage Temperature °C (75% RH max)		
ACM9070M-Series	-40 to +125	-20 to +40	ø330	700



◆ ELECTRICAL CHARACTERISTICS

Impedance 100MHz DC		Resistance (mΩ) max.	Rated Voltage (V) max.	Insulation Resistance (MΩ)min.	Rated Current (A)max.	MARK	Part No.
(Ω) Min	Typ						
225	300	6	80	10	6.0	301	ACM9070M-301-2P-T
450	600	8	80	10	5.5	501	ACM9070M-501-2P-T
500	700	10	80	10	5.0	701	ACM9070M-701-2P-T
750	1000	13	80	10	4.0	102	ACM9070M-102-2P-T
1200	1500	30	80	10	3.0	152	ACM9070M-152-2P-T
1700	2200	50	80	10	2.5	222	ACM9070M-222-2P-T
2000	2700	80	80	10	2.00	272	ACM9070M-272-2P-T

◆ Measurement Equipment

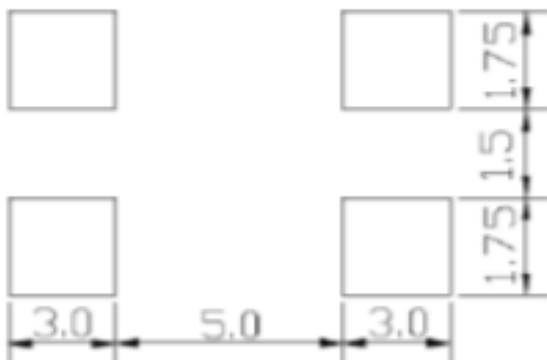
Measurement Item	Meter	Manufacturer
Common Mode Impedance	4287A	Agilent
DC Resistance	16502	Chroma
Insulation Resistance	4339B	Agilent / Chroma

※Rated Current: Temp.rise 40°C Typ

※Marking black words

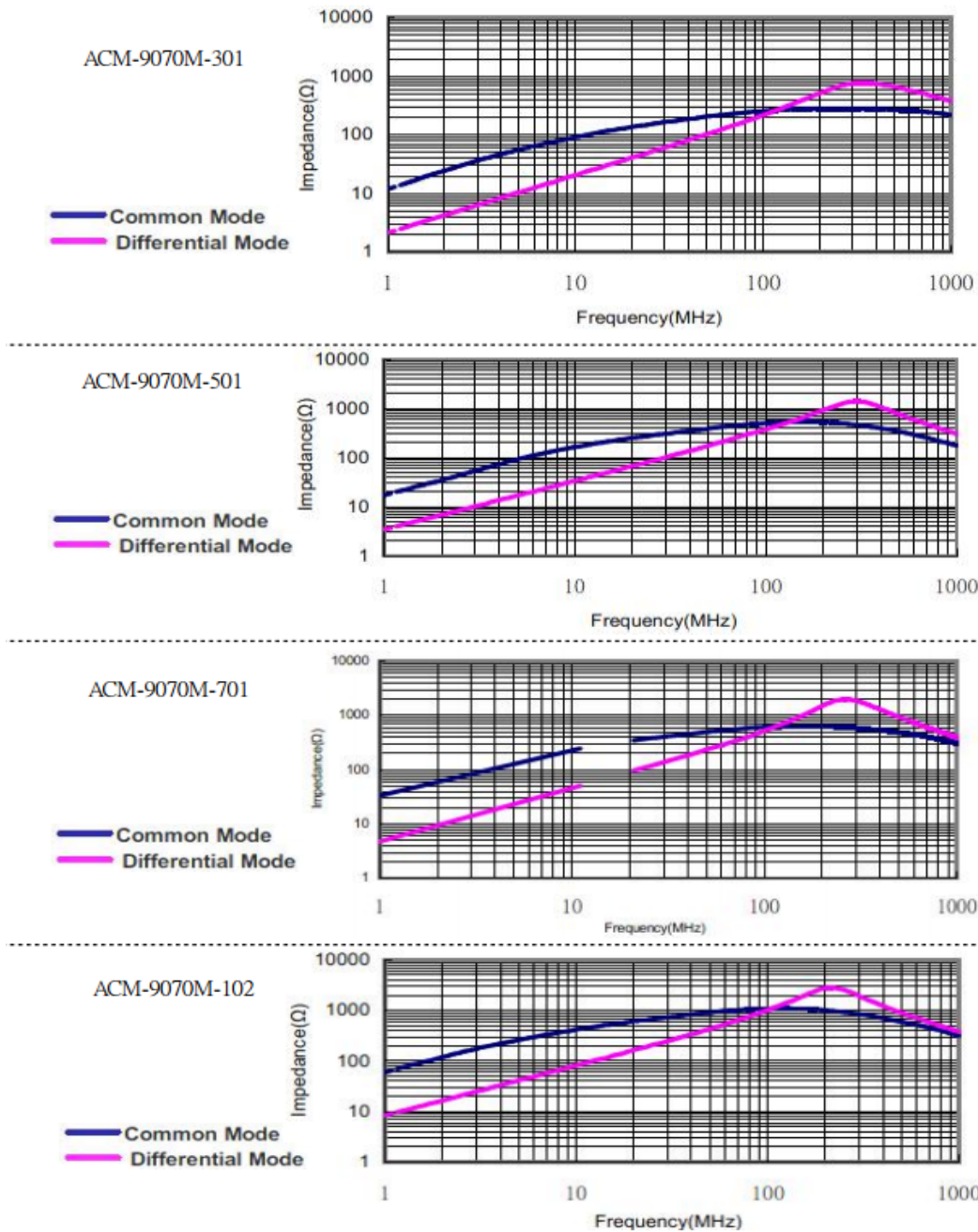
※Marking Damaged area less than 0.3mm is allowed

◆ Recommended Soldering Conditions (Please use this product by reflow soldering)



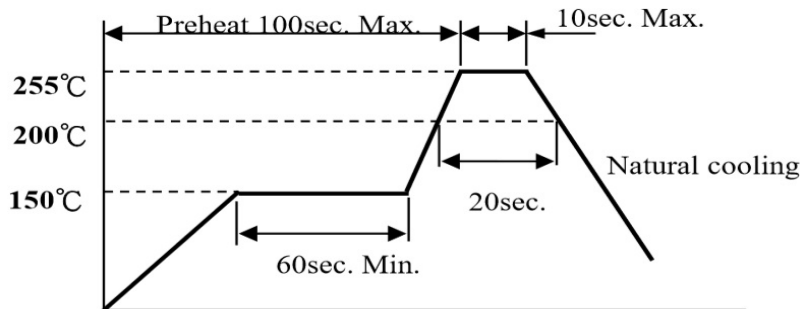


◆ CHARACTERISTICS(REFERENCE)

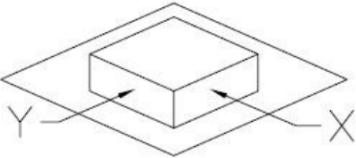


◆ RECOMMENDED REFLOW PROFILE

2017/11/1

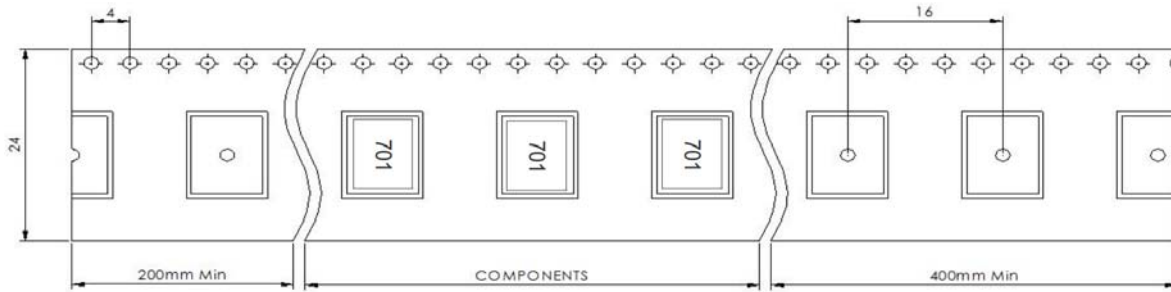


◆ MECHANICAL RELIABILITY

Operating Temperature	-40 to +125 (Contain Heating coil)
Appearance Inspection	No external defects by visual inspection
Terminal Strength	 <p>After soldering , between copper plaet and terminals of coils , push in two directions of X , Y with standing 1 0N(1 .02kg) for1 0+/-2 sec. Terminal should not peel off. (Refer to figure at right)</p>
Heat endurance of reflow soldering	Refer to figure
Insulating resistance	Over 1 00 MΩ at 1 00V D.C . between wire and core
Dielectric Strength	Apply at 0.5KV 3mA for 1 minute between wire and core
Temperature characteristics	Inductance coefficient (0~2,000) × 1 0 / °C (- 40~ + 1 25 °C)
Humidity characteristics	Inductance deviation within ± 1 0% , after 96 hours in 90~95% relative humidity at 40 ± 2 °C and 1 hours drying under normal condition
A test is made under the above mentioned condition , and it is kept for 2 hours in the normal	

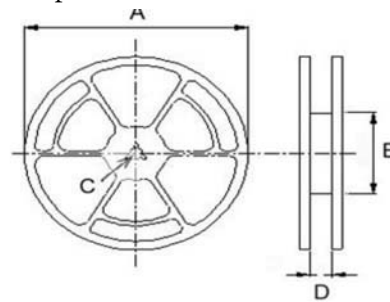
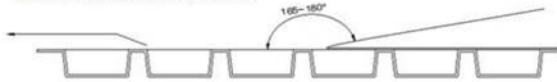


◆ Reel Dimension & Tape Dimension

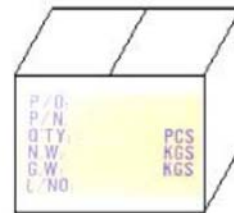
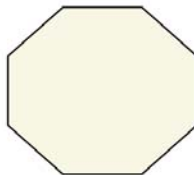
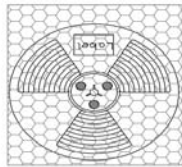


Transparent carrier and cover tape

Adhesive strength of cover tape is 20 to 120 gf
The conduction band direction



Reel Dimensions (Unit: mm)				Quantity
A	B	C	D	Pcs/Reel
330	100	13	24.5	700



Reel: 13'(Ø330mm)
700pcs/Reel

PE Bag
700pcs/bag

Inside Box
1400pcs/Box

Out Side Box
7,000pcs/Box