

Lan Transformer

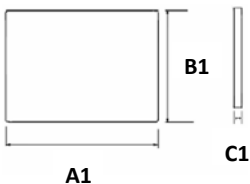
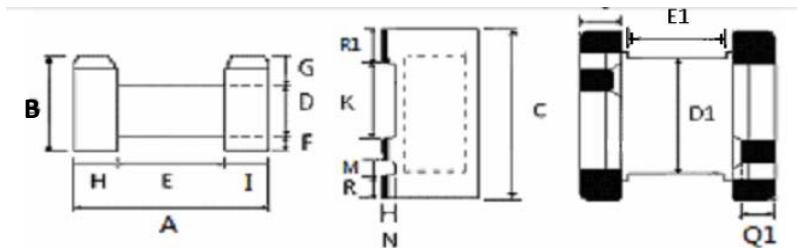
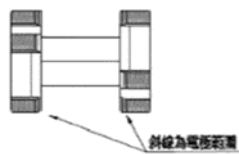
LTF3532-6P-361-T type

LTF3532-6P-361-T (Lan Transformer)



2018/10/12

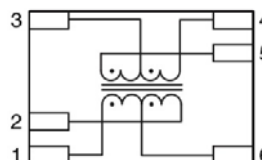
◆ SHAPE & DIMENSIONS



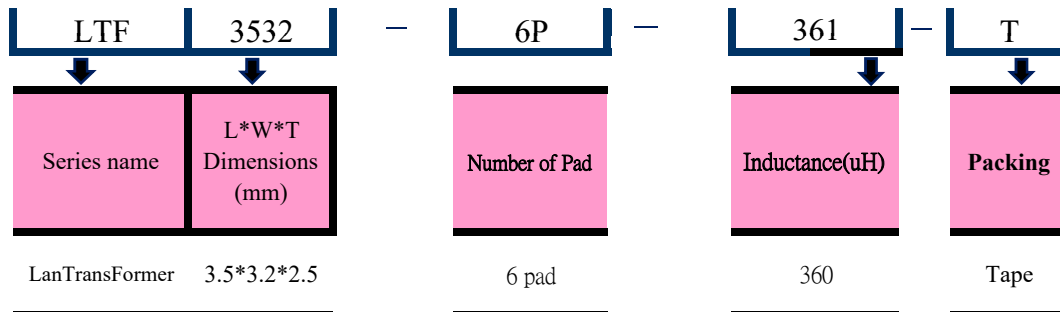
DIMENSIONS	A	B	C	D	D1	E1	E	F	G	H	I	M	N	Q	Q1	R	R1
Unit : mm	3.55	1.82	3.25	1.16	2.18	1.70	2.00	0.21	0.45	0.775	0.775	0.24	0.24	0.80	0.65	0.47	0.64
TOLERANCE	+0.10 -0.05	±0.05	+0.10 -0.05	±0.05	±0.05	±0.05	±0.05	±0.05	±0.05	±0.05	±0.05	±0.05	±0.05	±0.05	±0.05	±0.05	±0.05

DIMENSIONS	A1	R1	C1
Unit : mm	3.55	3.25	0.60
TOLERANCE	±0.05	±0.05	±0.05

◆ CIRCUIT DIAGRAM



◆ PART NUMBER CONSTRUCTION



◆ OPERATING TEMPERATURE RANGE, PACKAGE QUANTITY.

Type	Temperature range		Reel Dimensions	Package quantity
	Operating Temperature °C	Storage Temperature °C	(mm)	(pieces/reel)
LTF3532 TYP	-40 to +85	-40 to +85	ø180	500



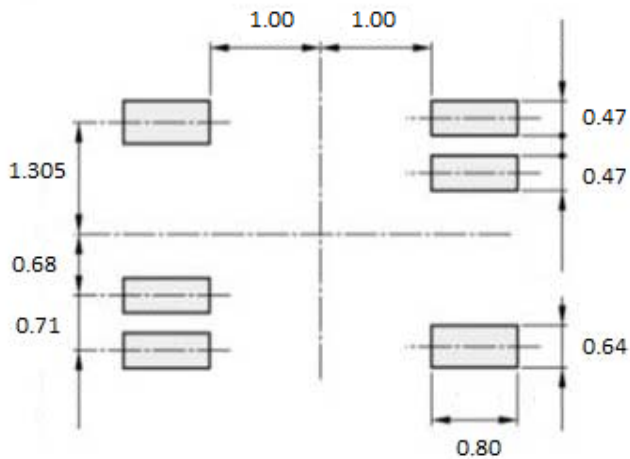
◆ ELECTRICAL CHARACTERISTICS

Turns ratio	Inductance [100KHz,0.1V] 1-2 , 5-4 (uH)	Insertion Loss 1-100MHz 1-2 , 5-4 dB (Max)	Cp Capacitance 1-2 , 5-4 (pF)	Part No.
1CT:1CT	360	-1.5	25	LTF3532-6P-361-T

◆ Measurement Equipment

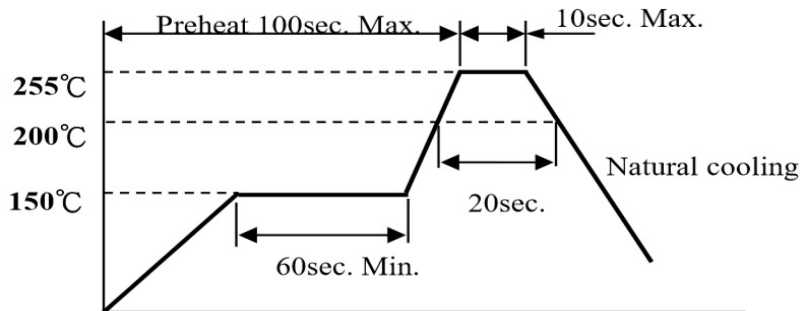
Measurement Item	Meter	Manufacturer
Inductance	TH2830	Tonghul
Insertion loss	E5071C	Keysight
Capacitance	TH2830	Tonghul

◆ Recommended Soldering Conditions (Please use this product by reflow soldering)



◆ RECOMMENDED REFLOW PROFILE

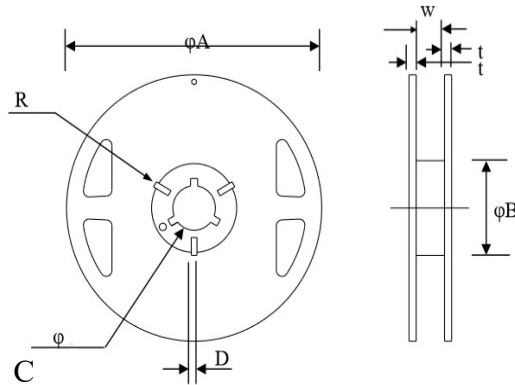
2018/10/12



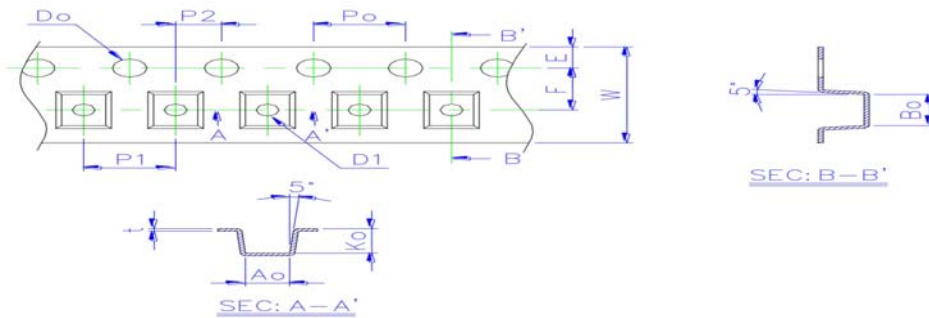
◆ MECHANICAL RELIABILITY

TEST ITEM	Specification & Requirement	Method Used
Solderability	The surface of terminal/pin tested shall be covered with new solder by 90%	Solder heat proof: Preheating: 150 ±10°C 60 seconds Soldering: 245 ±5°C for 4 ±1 sec
Solder Heat Resistance	Components should have not evidence of Impedance: within ±15% of initial value	Preheating: 150°C 60secs Flux: rosin Dip time: 10±0.5 secs
Terminal strength	Series No.	F (Kg)
	CMC/P3216F	1.0
	CMC/P3225F	1.0
	CMC/P3532F	1.2
	CMC/P4532F	1.2
ENDURANCE RELIABILITY		
Thermal Shock	Impedance change within ± 15% Without mechanical damage	-65°C, (30 mins) -> room temp. (2 mins) 125°C, (30 mins) -> room temp. (2 mins) 50 cycles
Humidity Resistance		Apply IDC current @ 60°C ambient Humidity: 90% Duration: 168 hrs
Low Temp. Storing		Storing Temp. -40 ±2 °C for total 168 +5/-0 hours
High Temp. Storing		Storing Temp. 125 ±2 °C for total 168 +5/-0 hours

◆ Reel Dimension & Tape Dimension



Type	A(mm)	B(mm)	C(mm)	W(mm)
7"x8mm	178±1	60±0.5	13.5±0.5	9.5±0.5
7"x12mm	178±1	60±1	13.3±0.5	13.7±0.5



Size	Ao(mm)	Bo(mm)	Ko(mm)	W(mm)	E(mm)	F(mm)	Po(mm)	P1(mm)	Do(mm)
2012	1.50±0.05	2.35±0.05	1.45±0.05	8.00±0.20	1.75±0.10	3.50±0.05	4.00±0.05	4.00±0.10	1.50+0.10/-0.00
3216	1.88±0.05	3.50±0.05	2.10±0.05	8.00±0.20	1.75±0.10	3.50±0.05	4.00±0.05	4.00±0.10	1.50+0.10/-0.00
3225	2.88±0.10	3.65±0.10	2.50±0.10	8.00±0.10	1.75±0.10	3.50±0.05	4.00±0.10	4.00±0.10	1.50+0.10/-0.00
4532	3.45±0.10	4.90±0.10	3.05±0.10	12.00±0.20	1.75±0.10	3.50±0.05	4.00±0.05	8.00±0.10	1.50+0.10/-0.00

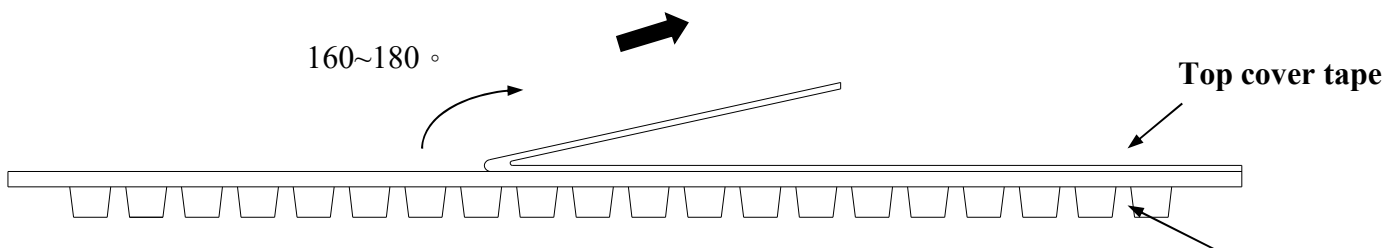
◆ Cover Tape Peel Strength

The force for tearing off cover tape is 0.05~0.69(N) in the arrow direction at the following conditions:

Temperature : 5 ~ 35°C

Humidity : 45 ~ 85%

Atmospheric pressure : 860 ~ 1060 hpa



◆ Packaging Quantity

Chip Size	2012	3216	3225	4532
8mm / Reel	2000	2000	1000	500